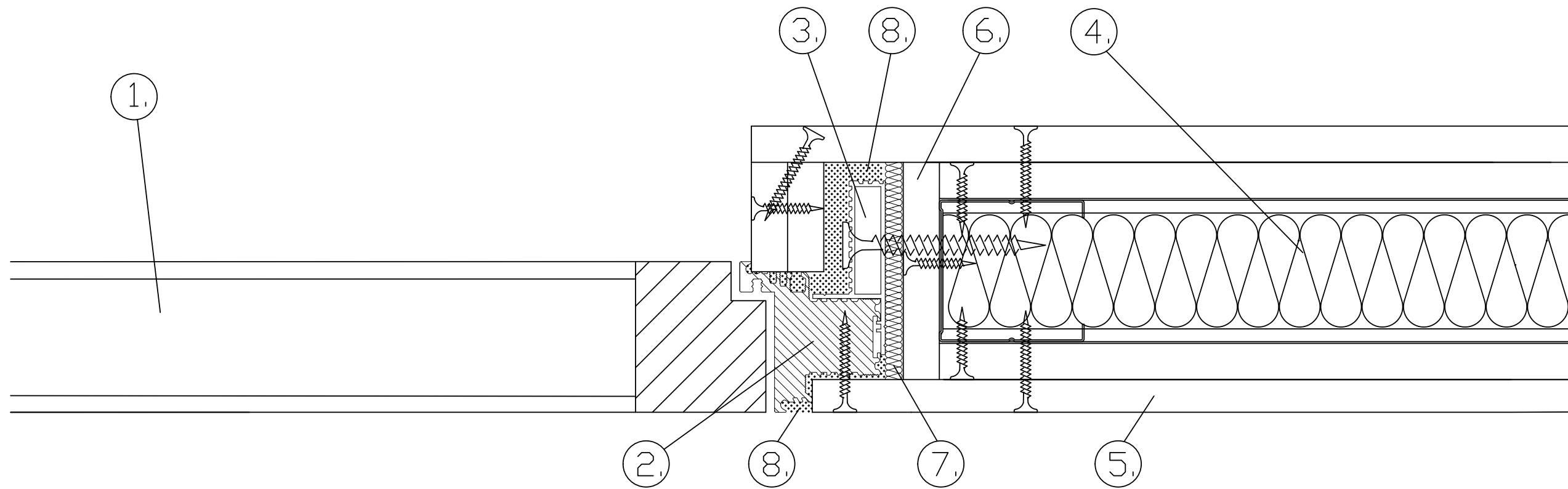


DRYWALL INSTALLATION - OUTSWING



- | | |
|---|--|
| 1. FORTIUS EI/EW30-DP3 Door Leaf | 5. Double Layer Drywall |
| 2. FORTIUS EI 30 Concealed Door Frame Profile | 6. Drywall Wrapping of Steel or Wood Stud |
| 3. Mounting Bracket | 7. Fire-Rated PU Foam |
| 4. 1-Hour Fire-Rated Wall Assembly | 8. Fire-Rated Joint Compound, i.e. USG Sheetrock Brand Firecode Compound |