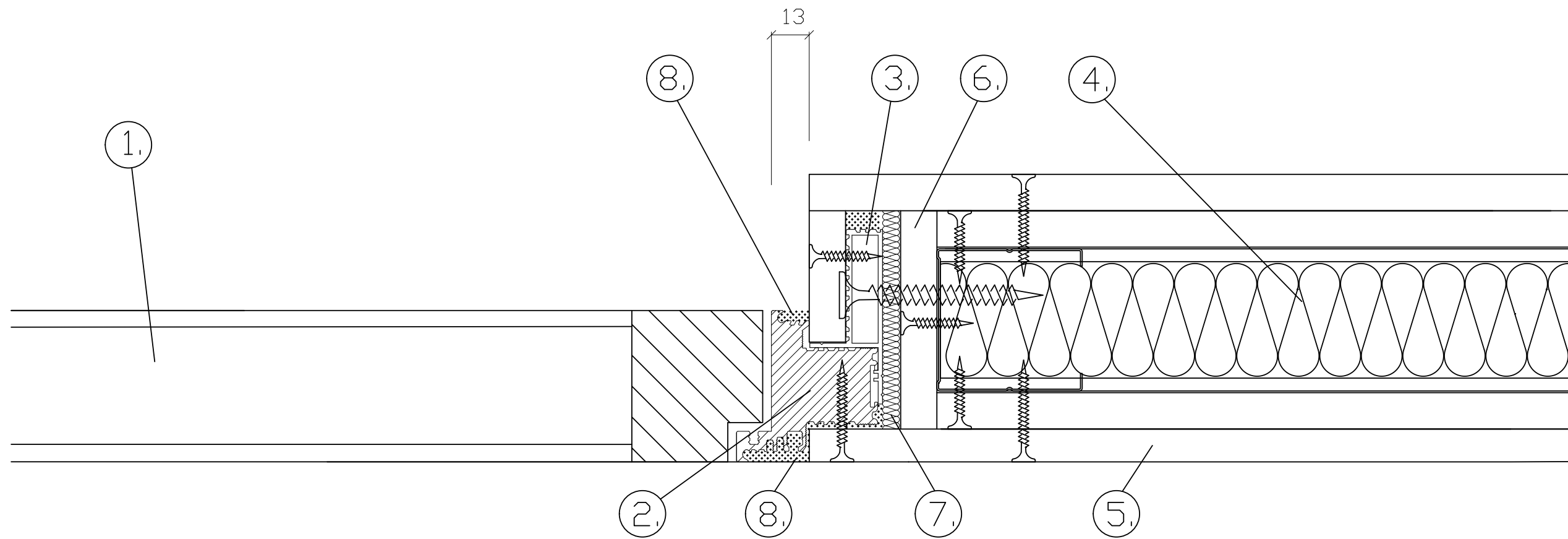


## DRYWALL INSTALLATION - INSWING



- |   |  |
|---|--|
| 1. FORTIUS EI/EW30-DP3 Door Leaf              | 5. Double Layer Drywall  |
| 2. FORTIUS EI 30 Concealed Door Frame Profile | 6. Drywall Wrapping of Steel or Wood Stud                                |
| 3. Mounting Bracket                           | 7. Fire-Rated PU Foam  |
| 4. 1-Hour Fire-Rated Wall Assembly            | 8. Fire-Rated Joint Compound, i.e. USG Sheetrock Brand Firecode Compound |